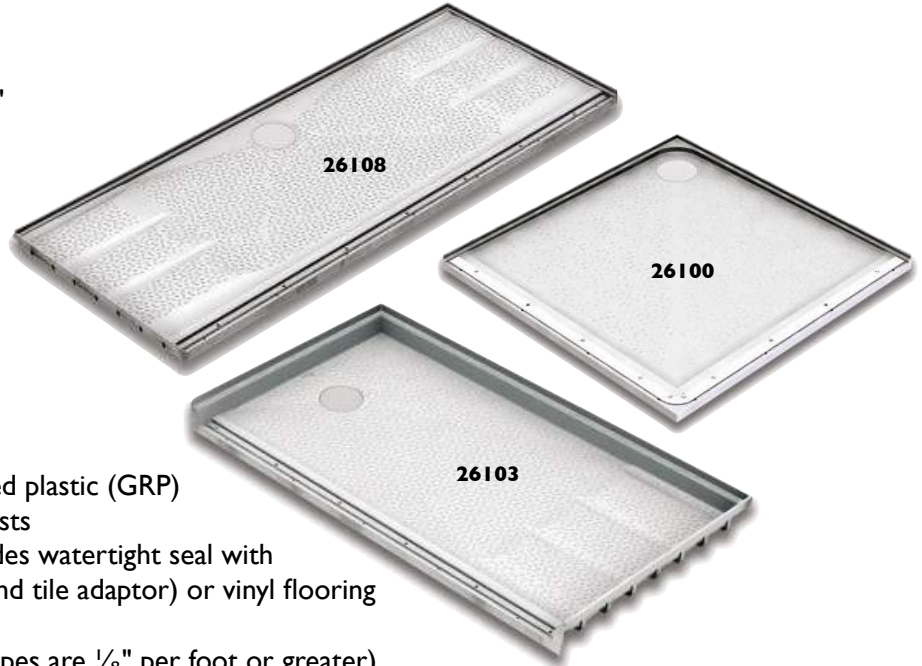


1. General Description

- a. Prefabricated, structural, pre-sloped, curbless, '0' threshold shower platform with no-slip safety texture
- b. Watertight clamping bar system integrates shower platform with vinyl flooring, tile, or entry ramp
- c. Fabricated in controlled conditions to precise engineering tolerances

2. Item Codes and Sizes

- a. 26072 . . . 49⁷/₈" x 34⁷/₈"
- b. 26100 . . . 42³/₁₆" x 42³/₁₆"
- c. 26101 . . . 49⁷/₈" x 30¹/₈"
- d. 26102 . . . 53⁷/₈" x 30¹/₈"
- e. 26103 . . . 60" x 38³/₈"
- f. 26104 . . . 58¹/₂" x 30¹/₈"
- g. 26107 . . . 53⁷/₈" x 34⁷/₈"
- h. 26108 . . . 72¹/₄" x 30¹/₄"
- i. 26113 . . . 60" x 32"
- j. 26192 . . . 72¹/₄" x 35"



3. Physical Characteristics

- a. Made of fiberglass reinforced plastic (GRP)
- b. Structural; spans 16" o.c. joists
- c. Clamping bar system provides watertight seal with Mullen accessories (ramp and tile adaptor) or vinyl flooring
- d. 1¹/₈"-thick edge profile
- e. Pre-sloped pitch planes (slopes are 1/8" per foot or greater)
- f. Waffle-pattern ribbing reinforces underside of platform
- g. No-slip textured surface
- h. Nailing flanges
- i. Models are either non-handed or offered in right and left handing
- j. Concealed, pre-bored pilot holes (for securing to joists or floor)
- k. Alcove and corner models available
- l. Cut-to-length models available
- m. Decorative drain grate included
- n. Color: white
- o. Made from 100% recyclable materials
- p. Installation requires a 2" solvent weld shower waste

4. Performance Characteristics

- a. Replace subfloor to achieve level-entry with surrounding floor
- b. Install on joists, on subfloor, in concrete, or on concrete
- c. Installer must support all edges and drain hole per instructions
- d. Cut-to-length models may be trimmed with ordinary power tools equipped with fine-cutting blades
- q. Supports up to 560 lbs. on joists or 1,100 lbs. on subfloor (substructure must meet load standards)

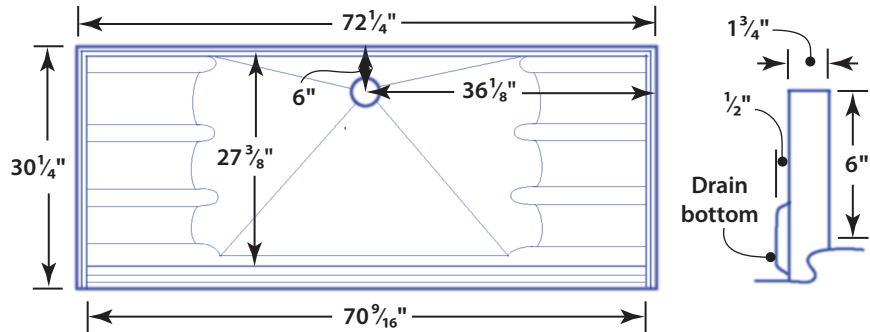
5. Other Information

- a. Compliance certification: ICC-ES PMG 1223
- b. Limited lifetime warranty—see AKW warranty for details



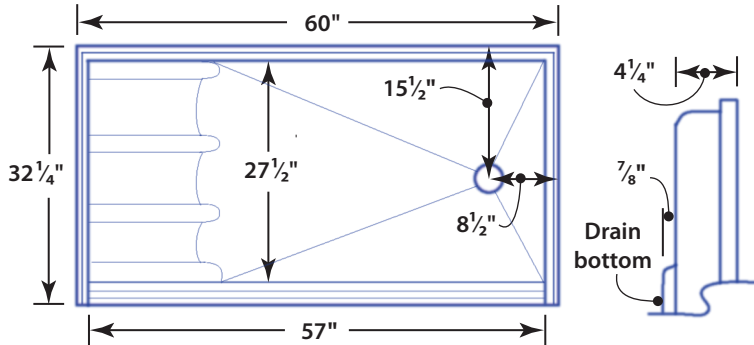
26108 . . . 72¹/₄" x 30¹/₄"

- cut-to-length model
- not handed
- trim one or both ends
- end cap kit included with base
 - › includes material for 2 cut ends



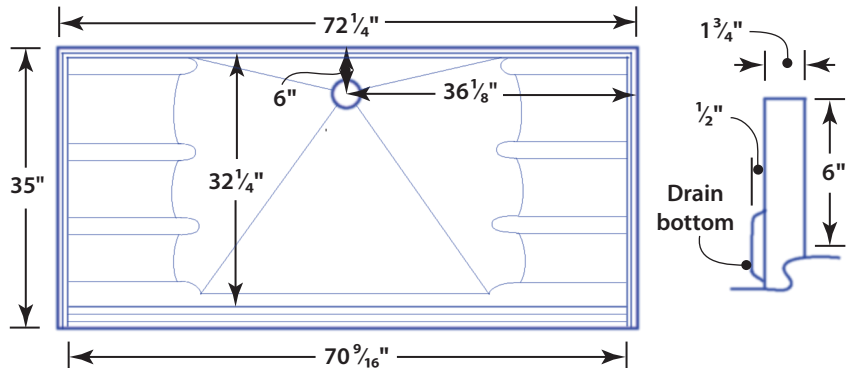
26113 . . . 60" x 32"

- cut-to-length
- right and left handed
- right handed model shown
- cut end opposite drain
- cut base requires an end cap kit
 - › item code: 26114
 - › specify right or left kit
 - right kit for right handed base
 - left kit for left handed base



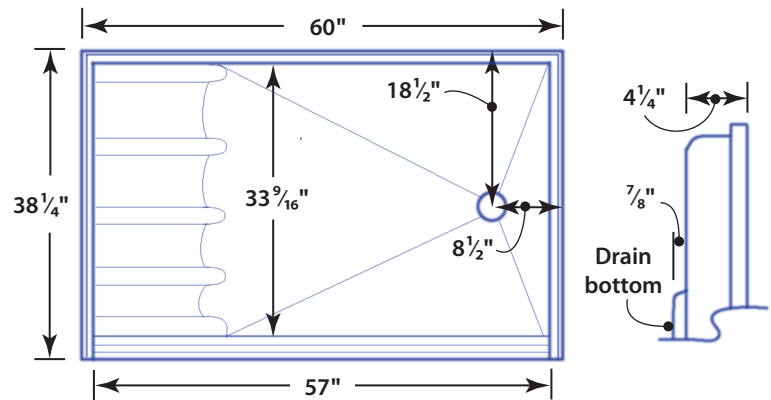
26192 . . . 72¹/₄" x 35"

- cut-to-length model
- not handed
- trim one or both ends
- end cap kit included with base
 - › includes material for 2 cut ends



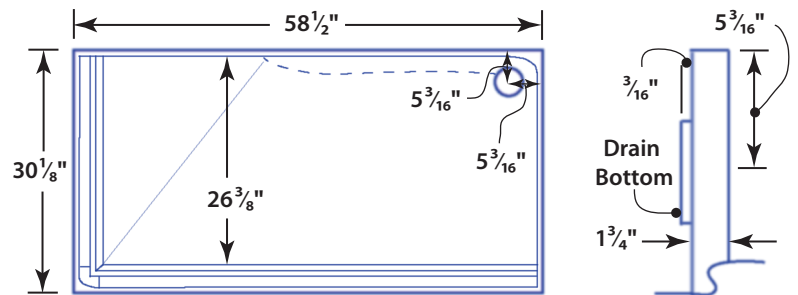
26103 . . . 60" x 38³/₈"

- cut-to-length
- right and left handed
- right handed model shown
- cut end opposite drain
- cut base requires an end cap kit
 - item code 26202
 - specify right or left kit
 - right kit for right handed base
 - left kit for left handed base



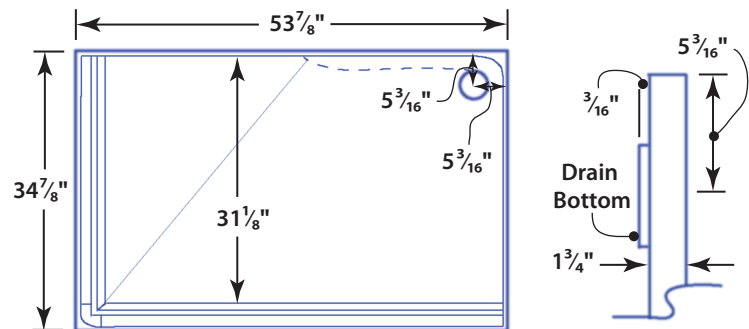
26104 . . . 58¹/₂" x 30¹/₈"

- corner model
- right and left handed
- right handed model shown
- cannot be cut to length
- not for alcove installations



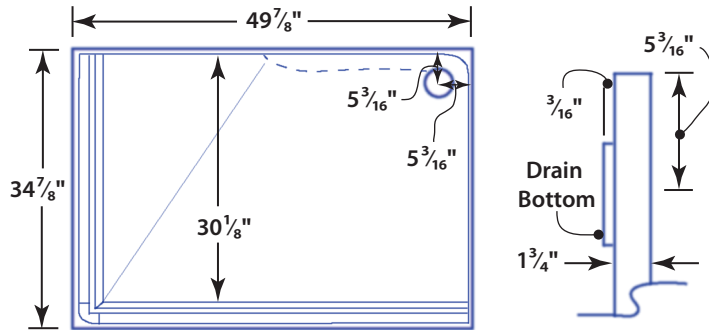
26107 . . . 53⁷/₈" x 34⁷/₈"

- corner model
- right and left handed
- right handed model shown
- cannot be cut to length
- not for alcove installations



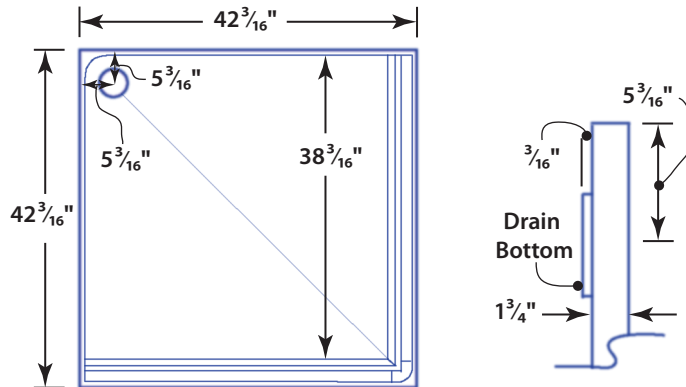
26072 . . . 49⁷/₈" x 34⁷/₈"

- corner model
- right and left handed
- right handed model shown
- cannot be cut to length
- not for alcove installations



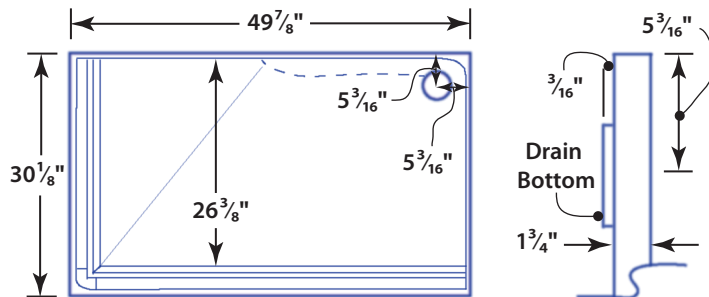
26100 . . . 42³/₁₆" x 42³/₁₆"

- corner model
- not handed
- cannot be cut to length
- not for alcove installations



26101 . . . 49⁷/₈" x 30¹/₈"

- corner model
- right and left handed
- right handed model shown
- cannot be cut to length
- not for alcove installations



26102 . . . 53⁷/₈" x 30¹/₈"

- corner model
- right and left handed
- right handed model shown
- cannot be cut to length
- not for alcove installations

